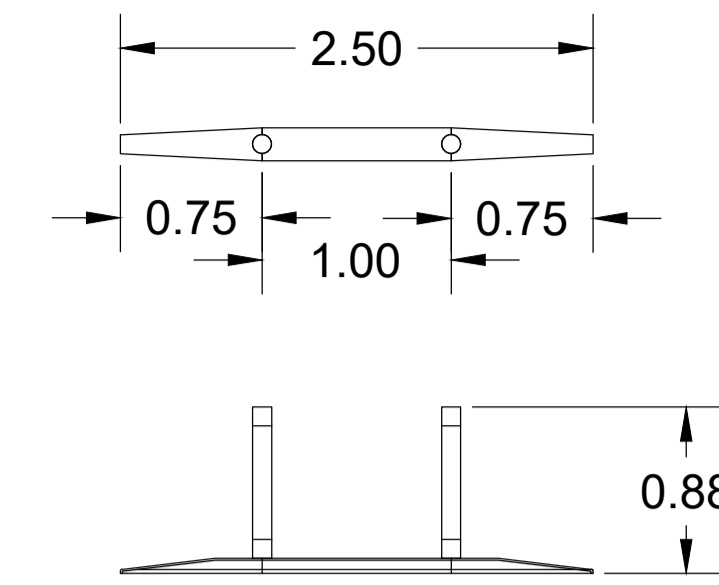
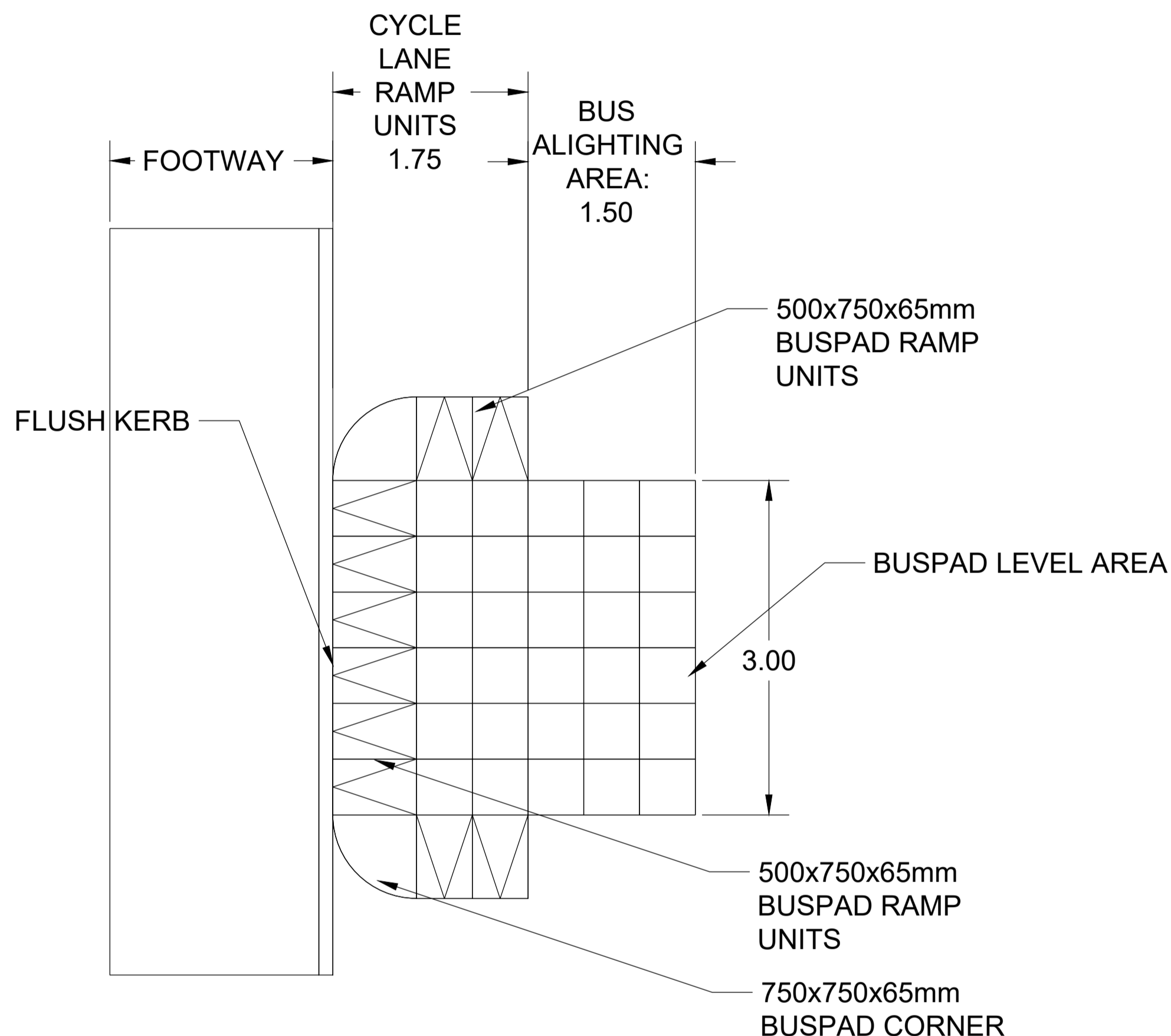


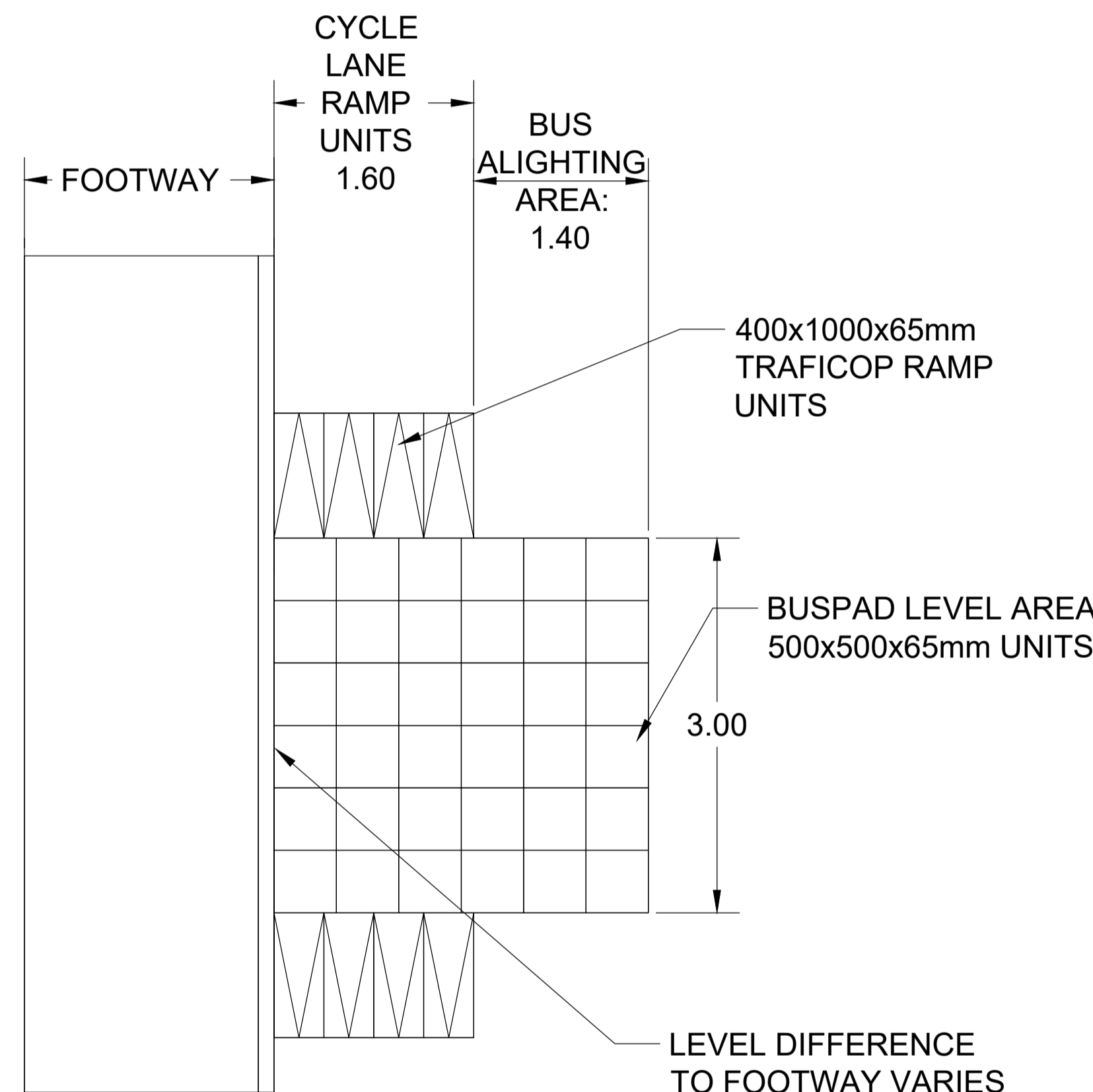
TEMPORARY BUS STOP - REDIWELD BUSPAD  
TYPICAL CROSS SECTION



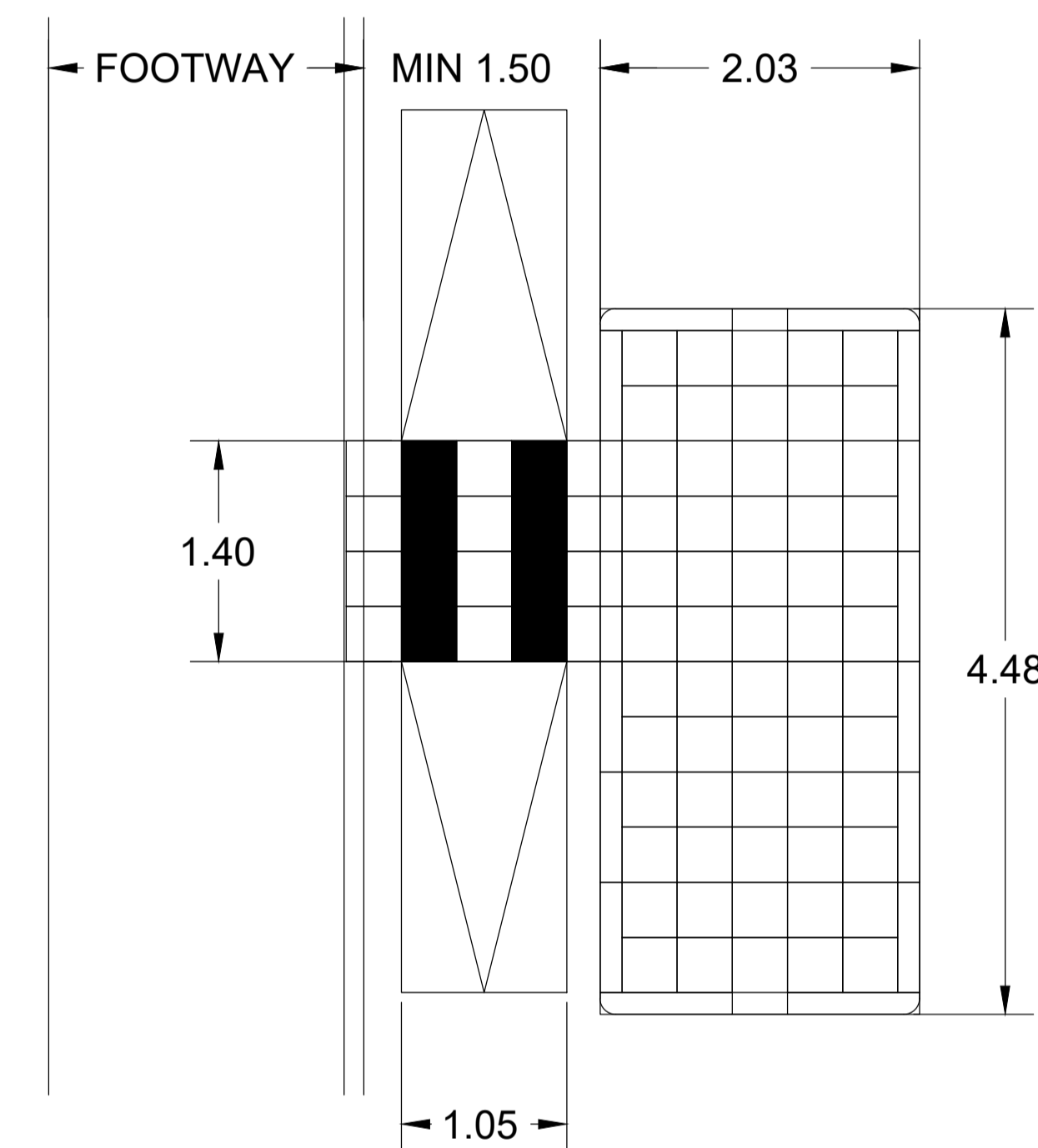
GREENWICH ORCA WAND LENGTH 2.5m  
TYPICAL DETAILS



REDIWELD BUSPAD BUS STOP WITH  
CYCLE LANE - FLUSH FOOTWAY  
KERB  
TYPICAL DETAIL



REDIWELD BUSPAD BUS STOP WITH  
CYCLE LANE - TYPICAL DETAIL



VECTORIAL FLOATING BUS STOP  
WITH CYCLE LANE  
TYPICAL DETAIL

NOTES:

1. ALL DIMENSIONS ARE IN METRES UNLESS OTHERWISE STATED.
2. REFER TO DRAWING COM-12727-1200-01 TO 04 FOR LAYOUT DRAWING.
3. THIS DRAWING IS TO BE READ IN CONJUNCTION WITH ALL RELEVANT DOCUMENTS.

**IMPORTANT** SWECO

**HEALTH, SAFETY & ENVIRONMENTAL INFORMATION**

IN ADDITION TO THE HAZARDS AND RISKS NORMALLY ASSOCIATED WITH THE TYPE OF WORK DETAILED ON THIS DRAWING, PLEASE NOTE THE FOLLOWING SIGNIFICANT RISKS TO HEALTH, SAFETY & ENVIRONMENT:-

THE SIGNIFICANT RISKS ASSOCIATED WITH THE PROJECT ARE NOTED BELOW

There are no Significant Residual Risks For this Element

NO SIGNIFICANT RISKS TO HEALTH, SAFETY & ENVIRONMENT ARE ANTICIPATED FOR THE WORKS ASSOCIATED WITH THIS DESIGN ELEMENT. FOR RISKS ASSIGNED DURING THE DESIGN STAGE PLEASE REFER TO THE COMBUSTION ROAD DESIGNER'S RISK ASSESSMENT.

IT IS ASSUMED THAT ALL WORKS SHALL BE UNDERTAKEN BY A COMPETENT CONTRACTOR WORKING WHERE APPROPRIATE TO AN APPROVED SAFE SYSTEM OF WORK

This map is reproduced from Ordnance Survey material with the permission of Ordnance Survey on behalf of the Controller of Her Majesty's Stationery Office © Crown copyright. Unauthorised reproduction infringes Crown copyright and may lead to prosecution or civil proceedings.

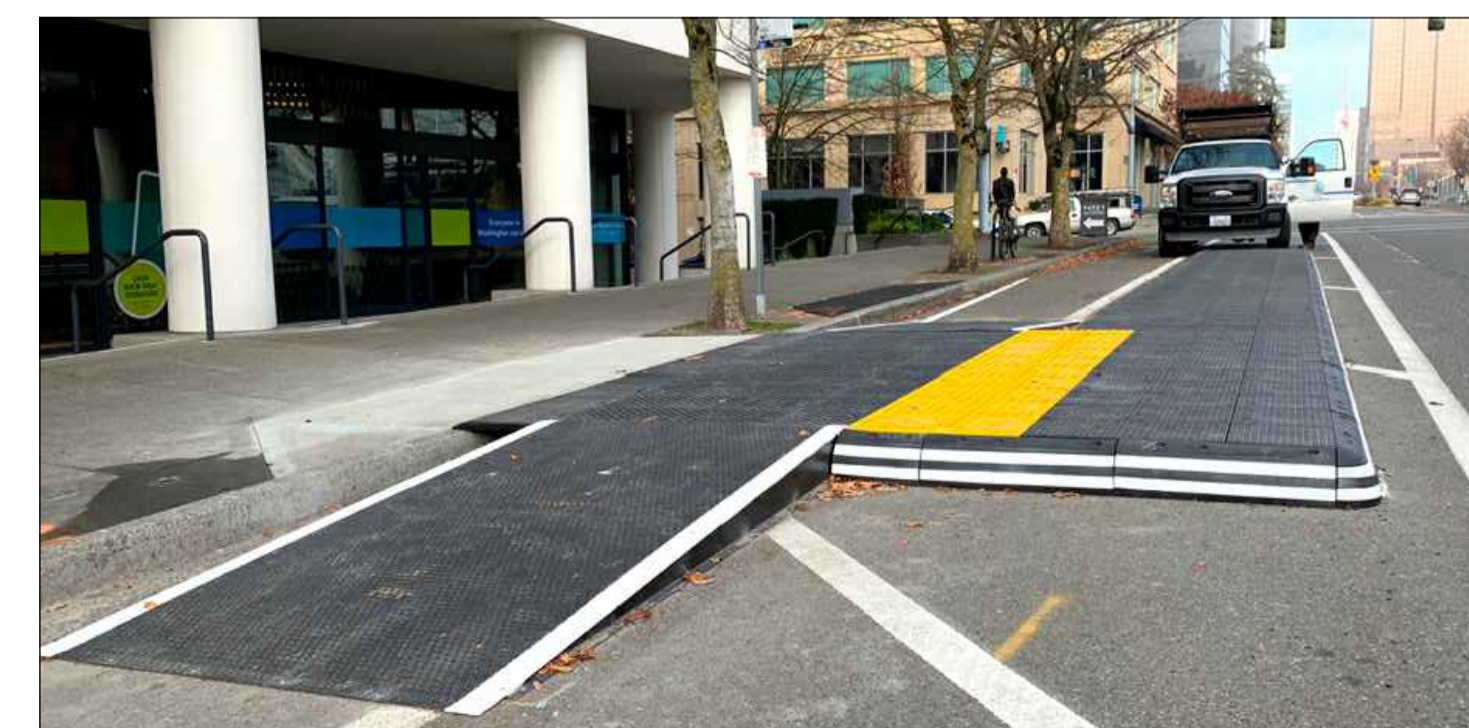
100023420 (2019)



GREENWICH ORCA WANDS - 2.5m LONG  
SEE DRAWING COM-12727-1100-01 FOR CONSTRUCTION DETAILS  
<http://www.rediweldtraffic.co.uk/products/cycle-lane-products/greenwich-wand-orca/>



REDIWELD BUSPAD - TO BE LOCATED ON CARRIAGEWAY WHERE STATED SEE DRAWING COM-12727-1100-01 FOR CONSTRUCTION DETAILS  
<http://www.rediweldtraffic.co.uk/products/inclusive-mobility/buspad/>



VECTORIAL FLOATING BUS STOP - ONE TO BE LOCATED NEW CAMUS AVE - OTHERWISE REDIWELD BUSPADS SEE DRAWING COM-12727-1100-01 FOR CONSTRUCTION DETAILS  
<https://www.zicla.com/en/vectorial-system/>



REVISION	DETAILS	BY	DATE	CHECKED



The City of Edinburgh Council  
Waverley Court  
4 East Market Street  
Edinburgh, EH8 8BG  
Telephone: 0131 200 2000

PLACE MANAGEMENT  
INFRASTRUCTURE  
TRANSPORT DESIGN & DELIVERY

SPACES FOR PEOPLE  
COMISTON ROAD  
CONSTRUCTION DETAILS  
PHASE 2  
SHEET 1 OF 1

Date: 18/06/2020 Job No.: 12727 Drawn by: SWECO - AMcN  
Checked by: SWECO - AB Reviewed by: SWECO - CF